

GORILLA NUTS™

CUSHION GRIP WIRE CONNECTORS



INSTALLATION INSTRUCTIONS

IMPORTANT: Turn off power before installing or removing connector. Product to be used in accordance with local and national codes.

1. Strip wires 3/4" (19.05 mm).
2. Pre-twisting not required. Hold stripped wires together with ends of insulations even. Lead stranded wires slightly.
3. Align any frayed strands or conductor.
4. Firmly push wire into connector and screw connector clockwise onto wire until tight.

To be sold only with installation instructions.

U.S. Pat. 7,560,645 and Additional Patents Pending Apply. All other trademarks, U.S. and Foreign Patents Apply. All Rights Reserved.



KING INNOVATION®

Gorilla Nuts™ Cushion Grip Wire Connectors

Catalog #	Selling Unit
68310	Box of 50
68325	Canister of 250

PRODUCT SPECIFICATIONS AND MEASUREMENTS

Max. Voltage: 600V max. building wire
(1000V max. signs or luminaries)

Connector Size: 1 13/16" x 13/16"

Wire Type: Copper/Copper

Wire Range: Min 4 #14/Max 2 #6

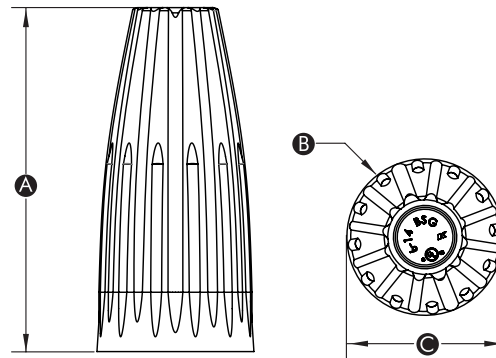
Temperature Rating: 105°C (221°F)

Measurements (Inches):

A - 1.8

B - 0.82

C - 0.83



Selected 600V Wire Combinations

2 #6	5 #10
6 #12	2 #8
5 #12	3 #10
4 #12	3 #12
4 #14	

WIRE RANGES

COVERS BLUE AND GRAY WIRE RANGES

Max 2 #6 | Max 3 #8 | Max 5 #10 | Max 6 #12 | Max 6 #14 | Min 4 #14



Contact factory for a complete list of wire combinations at 800.633.0232.

www.kinginnovation.com
(P) 800.633.0232
(F) 636.519.5410

GORILLA NUTS™

CUSHION GRIP WIRE CONNECTORS

Gorilla Nuts™ Cushion Grip Wire Connectors

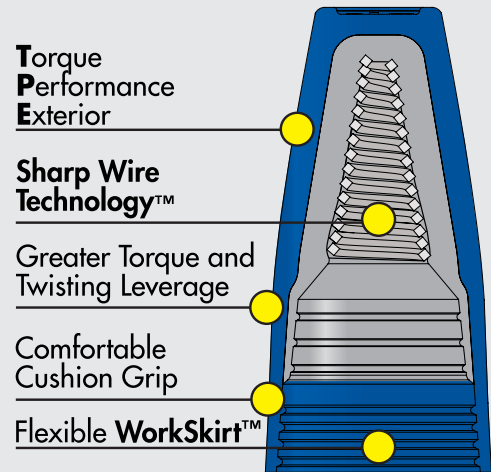
FEEL THE TORQUE!



FEATURES	BENEFITS
Expanded wire range of blue and gray connectors	Less inventory, improved coverage, fits a wide amount of wires; easily handles 2 #6s—solid or stranded copper wires
Sharp Wire Technology™	Square cut spring provides a secure connection and wire bite with first twist
Design features a flexible WorkSkirt™	Protects over stripped wires, folds to meet box fill space
Torque Performance Exterior (TPE) outer molding	Provides outstanding twisting leverage and greater torque, quickly tightens down
Cushioned raised ribs and lobe design	Cushion grip offers comfort when squeezing, won't slip when pushing into the box

GORILLA NUTS – FEEL THE TORQUE!

Three years spent performing research and development. Listening to Contractors. Using our knowledge of the industry. Innovating. It's what King Innovation is known for, it's what we live by, and we've done it again. Introducing Gorilla Nuts. With superior torque, increased wire range, and a flexible skirt, Gorilla Nuts is a beast of a connector. Wire connector technology has been raised to a whole new platform. Feel The Torque!



Look for these other great products from Gorilla Nuts:



Orange/Blue



Red/Yellow