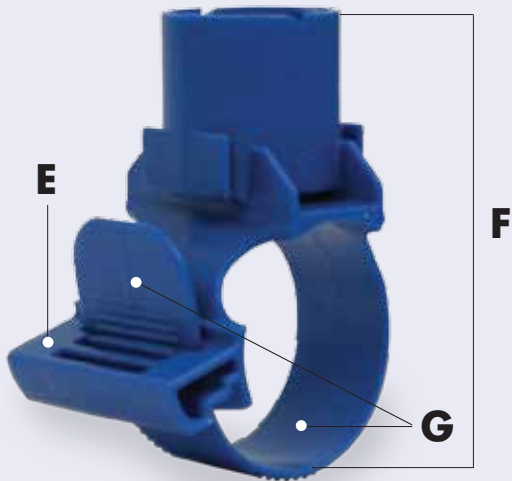
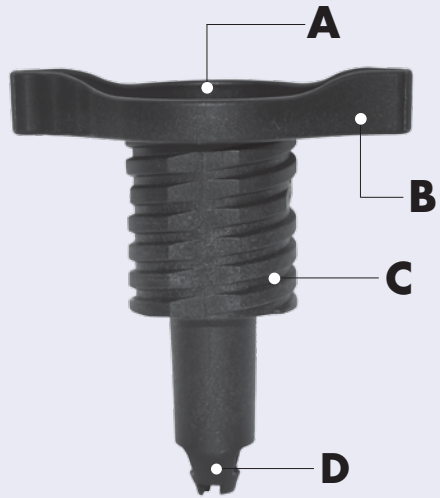




For 3/4", 1" and 1 1/4" 80 and 100 lb. HDPE Pipe and for 3/4" and 1" 125 lb. LDPE Pipe



NO TOOLS NEEDED

**#1 IN SPEED, COMFORT,
DURABILITY AND
NOW VERSATILITY.**

**FOR SWING JOINTS, DRAINS,
AND SPRINKLER HEADS**



Universal SnapTap® Saddles w/1/2" FPT

Catalog #	Size	Selling Unit
22511	1/2" FPT	Bucket of 75



Universal SnapTap Saddles w/90° Elbow

Catalog #	Size	Selling Unit
22516	90° Elbow	Bucket of 75



Universal SnapTap Saddles w/Straight Barb

Catalog #	Size	Selling Unit
22521	Straight Barb	Bucket of 75



- A. VERSATILE TAP DESIGN**
Tap is threaded to handle 90° Elbow, Straight Barb, or appropriate sprinkler heads.
- B. ERGONOMIC HURRICANE HANDLE**
With **50% MORE SURFACE AREA** to cushion fingers and provide maximum comfort.
- C. FAST THREAD**
Short thread design allows for the quickest and easiest installation possible.
- D. IMPROVED CUTTING TIP**
Superior strength patented "cutting tip" cleanly cuts polyethylene pipe for a tight seal every time.
- E. SIDE SNAP LATCH**
Side location for visible, secure connection.
- F. WORKING HEIGHT**
Shorter working height than competitive products, requires less digging.
- G. ADJUSTABLE STRAP**
Universal strap provides an adjustable, snug fit on the pipe

www.kinginnovation.com
(P) 800.633.0232
(F) 636.519.5410



SnapTap® Saddles

INSTALLATION INSTRUCTIONS

Note: Do not install tap into saddle until saddle is in place on pipe.



SLIP saddle onto pipe, pipe size doesn't matter.



SLIDE the strap into guide on the latch.



SNAP the strap through the latch until snug with pipe or there are no more clicks.



Screw **TAP** into saddle until the tap locks. Handle will be parallel to pipe.

- Side snap latch provides a visible, secure connection
- Fits 3/4", 1" & 1 1/4" Poly Pipe
- Easy Installation, no fittings, or no clamps
- Available with a 90° elbow or straight barb fitting
- Ergonomic hurricane handle provides comfortable, quick rotations
- Short thread design allows for the quickest, easiest installation possible
- Cutting tip cleanly penetrates and cuts for a tight seal every-time
- Universal strap provides an adjustable, snug fit on the pipe

