

DRYCONN®

WATERPROOF CONNECTORS

Direct Bury Twist-on with Strain Relief



Installation Instructions

IMPORTANT: Turn off power before installing or removing connector. Product to be used in accordance with local and national codes.

1. Strip wires 5/8" (15.9 mm).
2. Align any frayed strands or conductors.
3. Place stripped wires together with ends of insulation even.
4. Push conductors firmly into connector and twist onto wire until tight. Wipe sealant in and around conductors and connector opening while tightening. Do not over torque.
5. Position conductors as shown in Figure A and close lid. Note: When installing 2 - #18 conductors, position to exit out same side. See Figure B.
6. Do not reuse.

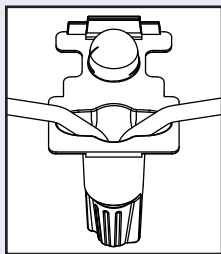


Figure A

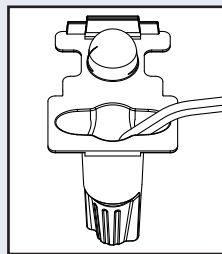


Figure B

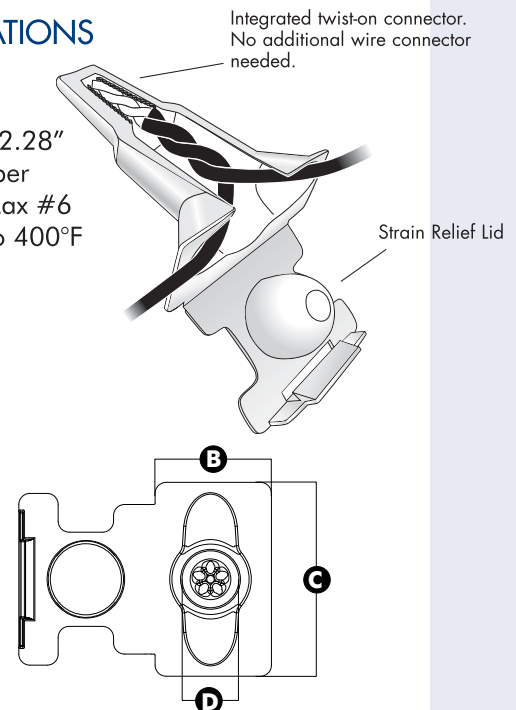
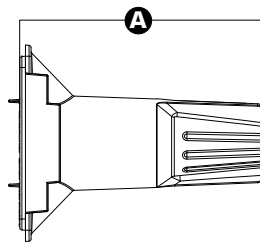
DryConn® DBSR® Aqua

Catalog #	Selling Unit
63615	Bag of 10
63650	Box of 100

PRODUCT SPECIFICATIONS & MEASUREMENTS

Max. Voltage: 600V
 Connector Size: 1.75" x 2.28"
 Wire Type: Copper/Copper
 Wire Range: Min #22/Max #6
 Silicone Sealant: -45°F to 400°F
 UL Designation: MSR

Measurements (Inches):
 A - 2.28 B - 1.05
 C - 1.75 D - 0.70



* UL 486D Listed as a sealed wire connector system. For use in damp, wet, raintight and submersible locations. Not to be used in continuous submersion applications.

Selected 600V Wire Combinations

2 #18	1 - 3 #10	1 #14 w/3 - 4 #18
1 - 4 #12	2 #14 w/2 - 4 #16	1 #12 w/2 - 4 #18
3 #14 w/1 - 2 #16, #18, #20 or #22	1 #8 w/1 - 2 #16, #18, #20 or #22	2 #12 w/1 - 2 #14, #16 or #18
4 - 6 #16	5 #14 w/1 #18	2 - 5 #14
1 #8 w/1 #12	1 #12 w/1 - 4 #14 or #16	3 #10 w/1 #18
1 #10 w/1 - 5 #16	3 #12 w/1 #14	1 #10 w/1 - 3 #14

Contact factory for a complete list of wire combinations at 800.633.0232 or www.dryconn.com.

U.S. Pat. 7,170,005, 5,771,578, 6,815,616 and 7,122,742.
 All other trademarks, U.S. & Foreign Patents Pending apply. All Rights Reserved.