

DRYCONN®

WATERPROOF CONNECTORS

DBYN-600 Direct Bury Silicone Tube w/Strain Relief w/Yellow Nut

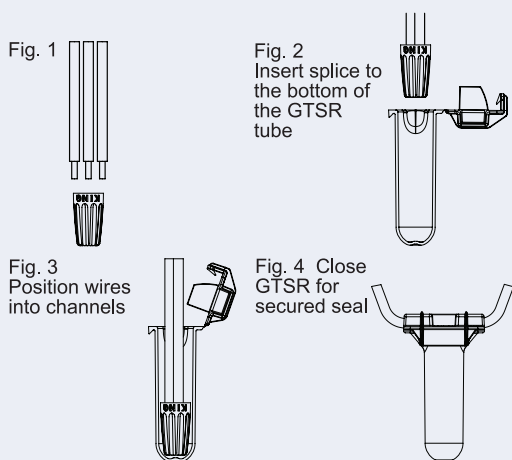


INSTALLATION INSTRUCTIONS

IMPORTANT: Turn off power before installing or removing connector. Product to be used in accordance with local and national codes.

- Strip solid wires 3/8" (9.5mm). For #16 and smaller wires, strip 7/16" (11.1mm).
- Pre-twisting unnecessary, hold stripped wires together with ends even. Lead stranded wires slightly.
- Align any frayed strands or conductors. Fig. 1
- Push wires into connector and screw on until two twists are visible in wires. Fig. 2
- Insert the splice to the bottom of the sealant filled tube. Fig. 3
- Position wires into wire channels
- Wipe any sealant around opening and conductors.
- Close lid ensuring latch is secured. Fig. 4

To be sold only with installation instructions.



DBYN-600 Direct Bury Silicone Tube w/Strain Relief w/Yellow Nut

Catalog #	Selling Unit
20520	Bag of 2
20525	Box of 100

PRODUCT SPECIFICATIONS AND MEASUREMENTS

Max. Voltage: 600V max. building wire
(1000V max. signs or luminaries)

Connector Size: 2 23/32" x 1 1/2"

Wire Type: Copper/Copper

Wire Range: Min #22/Max #12

Temperature Rating: 105°C (221°F)

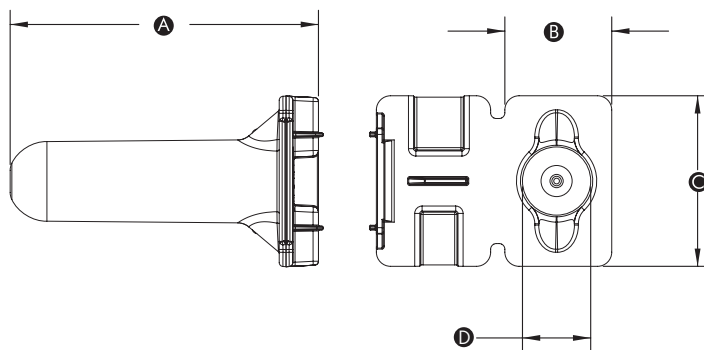
Silicone Sealant Temperature: -45°F to 400°F

Tube Construction: Sunlight and Impact Resistant Blended Polypropylene

UL Designation: GTSR 1

Measurements (Inches):

A - 2.71 B - 0.94
C - 1.50 D - 0.60



* UL 486D Listed as a sealed wire connector system. For use in damp, wet, raintight, direct bury and submersible locations. Not to be used in continuous submersion applications.

Selected 600V Wire Combinations

2 #12	2 or 3 #14	2 - 5 #16
3 - 7 #18	1 #12 w/1 - 4 #18	2 #12 w/1 #18
1 #14 w/1 - 4 #18	2 #14 w/1 - 3 #18	2 #16 w/1 - 3 #18

Contact factory for a complete list of wire combinations at 800.633.0232.



DO NOT REUSE. PATENT PENDING.
Made in USA of US and Foreign Parts.
50100-89 REV A 09/13

www.kinginnovation.com
(P) 800.633.0232
(F) 636.519.5410

DRYCONN®

WATERPROOF CONNECTORS

DBO/B-600 Direct Bury Silicone Tube w/Strain Relief w/Orange Blue Gorilla Nut



INSTALLATION INSTRUCTIONS

IMPORTANT: Turn off power before installing or removing connector. Product to be used in accordance with local and national codes.

- Strip solid wires 3/8" (9.5mm). For #16 and smaller wires, strip 7/16" (11.1mm).
- Pre-twisting unnecessary, hold stripped wires together with ends even. Lead stranded wires slightly.
- Align any frayed strands or conductors. Fig. 1
- Firmly push wire into connector and screw connector clockwise onto wire until tight. Fig. 2
- Insert the splice to the bottom of the sealant filled tube. Fig. 3
- Position wires into wire channels
- Wipe any sealant around opening and conductors.
- Close lid ensuring latch is secured. Fig. 4

To be sold only with installation instructions.

Fig. 1

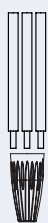


Fig. 2
Insert splice to the bottom of the GTSR tube

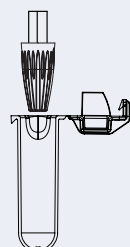


Fig. 3
Position wires into channels

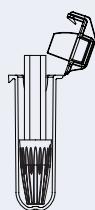
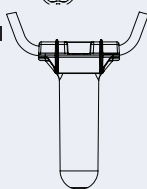


Fig. 4
Close GTSR for secured seal



DBO/B-600 Direct Bury Silicone Tube w/Strain Relief w/Orange Blue Gorilla Nut

Catalog #	Selling Unit
20630	Bag of 2
20635	Box of 100

PRODUCT SPECIFICATIONS AND MEASUREMENTS

Max. Voltage: 600V max. building wire
(1000V max. signs or luminaries)

Connector Size: 2 23/32" x 1 1/2"

Wire Type: Copper/Copper

Wire Range: Min #22/Max #8

Temperature Rating: 105°C (221°F)

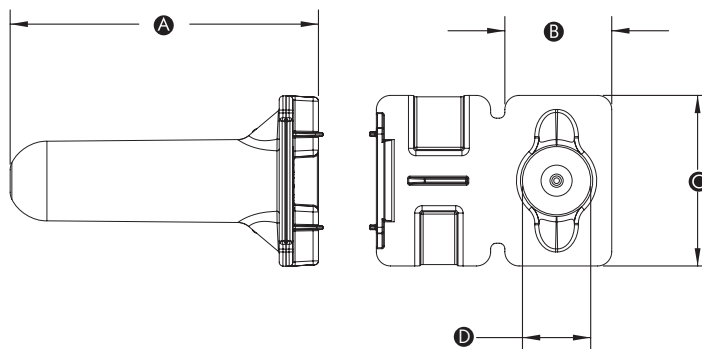
Silicone Sealant Temperature: -45°F to 400°F

Tube Construction: Sunlight and Impact Resistant Blended Polypropylene

UL Designation: GTSR 2

Measurements (Inches):

A - 2.71 B - 0.94
C - 1.50 D - 0.60



* UL 486D Listed as a sealed wire connector system. For use in damp, wet, raintight, direct bury and submersible locations. Not to be used in continuous submersion applications.

Selected 600V Wire Combinations

1 - 3 #12	1 - 4 #14	2 - 5 #16
2 - 5 #18	1 #10 w/1 - 4 #18	1 #12 w/1 - 4 #18
2 #12 w/1 or 2 #18	1 #14 w/1 - 4 #18	3 #14 w/1 or 2 #18

Contact factory for a complete list of wire combinations at 800.633.0232.



DO NOT REUSE. PATENT PENDING.
Made in USA of US and Foreign Parts.
50100-89 REV A 09/13

www.kinginnovation.com
(P) 800.633.0232
(F) 636.519.5410