

KING DRAINS®

Soft Grip Drains



Installation Instructions

Install all "screw-in" King Drains on 45-degree angle to ensure proper drainage of water from pipes.

All King Drains can be installed with or without a gravel sump. For small diameter shorter lines a sump is not necessary. Larger and longer lines will drain more efficiently with a gravel sump.

For elevation changes greater than 15 feet, install one King Drain at each 15-foot interval.



U.S. Patent Numbers 4,890,640 and 5,080,527.
All other trademarks, U.S. and Foreign Patents
Pending apply. All Rights Reserved.

KING
INNOVATION®

Soft Grip Drains

Catalog #	Size	Selling Unit
22163	1/2" MPT	Bag of 25
23167	3/4" MPT	Bag of 25

- Soft Grip ergonomic design combines main and lateral line drains
- For use on sprinkler heads, valves and fittings
- Complements end-of-season blow-outs

Product Features

A. Self-cleaning Dirt Arrestor Screen

The raised screen prevents clogging of drain due to sediment and/or contaminants.

B. Patented Pressure Sensitive Valve

Releases water slowly at root level.

C. Patented Backflow Check

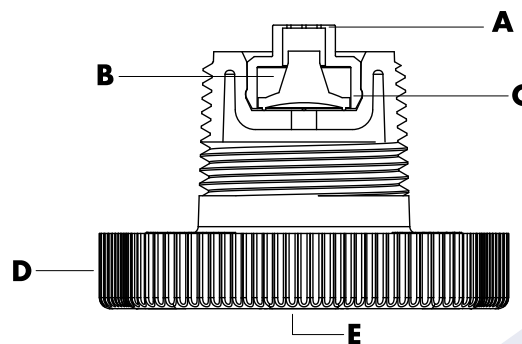
Eliminates potential freeze damage and backflow contamination by preventing water from re-entering system.

D. Ergonomic Design with Non-Corrosive Housing

Soft Grip ergonomic design provides easy and comfortable installation. Grip allows for better torque, and reduces hand fatigue and pain. The non-corrosive housing is injection molded with high impact polymer to ensure lifetime protection.

E. Broad Dispersing Pad

Keeps roots and soil from penetrating, minimizing the need for sumps.



www.kinginnovation.com

(P) 800.633.0232

(F) 636.519.5410

50100-27 REV F 10/08