

# DRYCONN®

## WATERPROOF CONNECTORS

Great for low voltage landscape lighting and sprinkler systems



### INSTALLATION INSTRUCTIONS

**IMPORTANT:** Turn off power before installing or removing connector. Product to be used in accordance with local and national codes.

1. Strip wires 5/16"; #16 / #18 stranded strip 3/8".
2. Align frayed strands or conductors.
3. Hold stripped wires together with ends even (lead stranded wires slightly); pre-twisting unnecessary.
4. Push wires firmly into connector; screw on. Fig. 1
5. Insert the splice to the bottom of the sealant filled tube. Fig. 2
6. Position wires into wire channels. Fig. 3
7. Wipe any sealant around opening and conductors and close lid. Fig. 4

*To be sold only with installation instructions.*

Fig. 1



Fig. 2  
Insert splice to the bottom of the GTSR tube

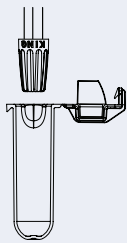


Fig. 3  
Position wires into channels

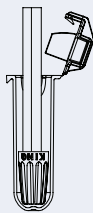
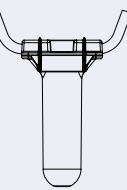


Fig. 4  
Close GTSR for secured seal



### GTSR™ - Direct Bury Grease Filled Tube with Strain Relief with Orange Nut

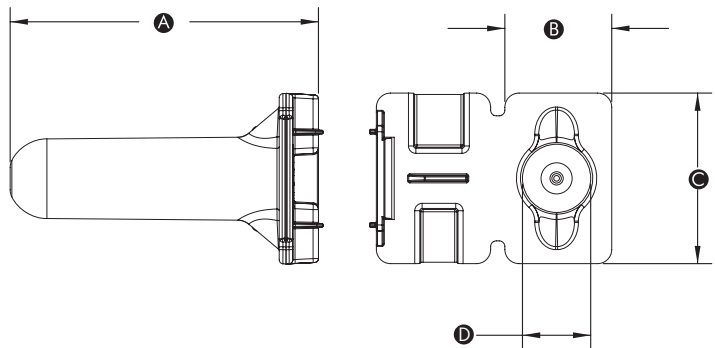
Catalog #	Selling Unit
20205	Bag of 25

### PRODUCT SPECIFICATIONS & MEASUREMENTS

Max. Voltage: 50V max.  
 Connector Size: 2 23/32" x 1 1/2"  
 Wire Type: Copper/Copper  
 Wire Range: Min #22/Max #14

### MEASUREMENTS:

- A - 2.71"
- B - 0.94"
- C - 1.50"
- D - 0.60"



### Selected 50V Wire Combinations

2 #14 Solid or Stranded	2 - 3 #16 Solid or Stranded
2 - 4 #18 Solid or Stranded	2 #14 w/1 #18 Solid or Stranded
1 #16 w/1 - 4 #18 Solid or Stranded	3 #18 w/1 or 2 #20 or #22 Solid or Stranded

Contact factory for a complete list of wire combinations at 800.633.0232.

**MADE IN USA OF US AND FOREIGN PARTS**



50100-10 REV E 06/23

www.kinginnovation.com  
 (P) 800.624.4320  
 (F) 636.519.5410