

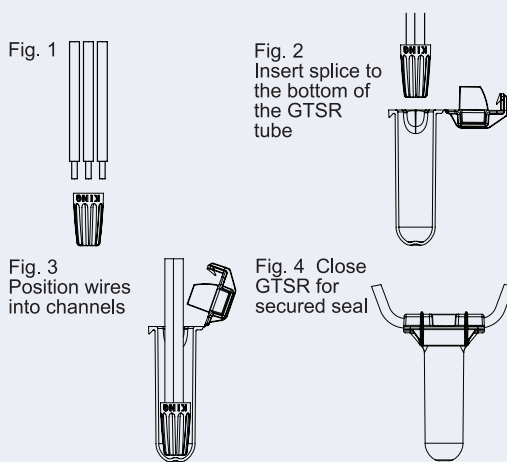


## INSTALLATION INSTRUCTIONS

**IMPORTANT:** Turn off power before installing or removing connector. Product to be used in accordance with local and national codes.

- Strip solid wires 3/8" (9.5mm). For #16 and smaller wires, strip 7/16" (11.1mm).
- Pre-twisting unnecessary, hold stripped wires together with ends even. Lead stranded wires slightly.
- Align any frayed strands or conductors. Fig. 1
- Push wires into connector and screw on until two twists are visible in wires. Fig. 2
- Insert the splice to the bottom of the sealant filled tube. Fig. 3
- Position wires into wire channels
- Wipe any sealant around opening and conductors.
- Close lid ensuring latch is secured. Fig. 4

To be sold only with installation instructions.



## DBYN-600 Direct Bury Silicone Tube with Strain Relief with Yellow Nut

Catalog #	Selling Unit
20525	Box of 100

## PRODUCT SPECIFICATIONS AND MEASUREMENTS

**Max. Voltage:** 600V max. building wire  
(1000V max. signs or luminaries)

**Connector Size:** 2 23/32" x 1 1/2"

**Wire Type:** Copper/Copper

**Wire Range:** Min #22/Max #12

**Temperature Rating:** 105°C (221°F)

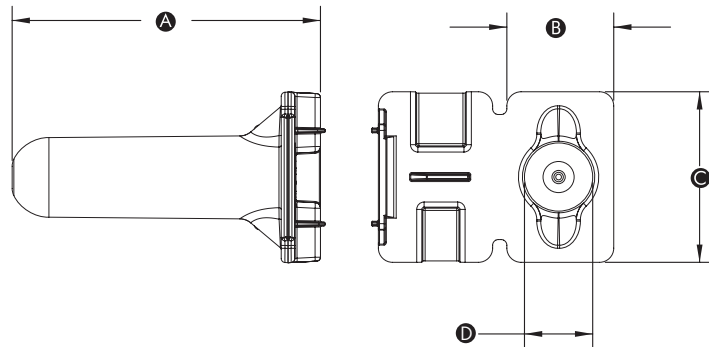
**Tube Construction:** Sunlight and Impact Resistant Blended Polypropylene

**UL Designation:** GTSR 1

### Measurements (Inches):

**A - 2.71 B - 0.94**

**C - 1.50 D - 0.60**



\* UL 486D Listed as a sealed wire connector system. For use in damp, wet, raintight, direct bury and submersible locations. Not to be used in continuous submersion applications.

### Selected 600V Wire Combinations

<b>2 #12</b>	<b>2 or 3 #14</b>	<b>2 - 5 #16</b>
<b>3 - 7 #18</b>	<b>1 #12 w/1 - 4 #18</b>	<b>2 #12 w/1 #18</b>
<b>1 #14 w/1 - 4 #18</b>	<b>2 #14 w/1 - 3 #18</b>	<b>2 #16 w/1 - 3 #18</b>

Contact factory for a complete list of wire combinations at 800.633.0232.